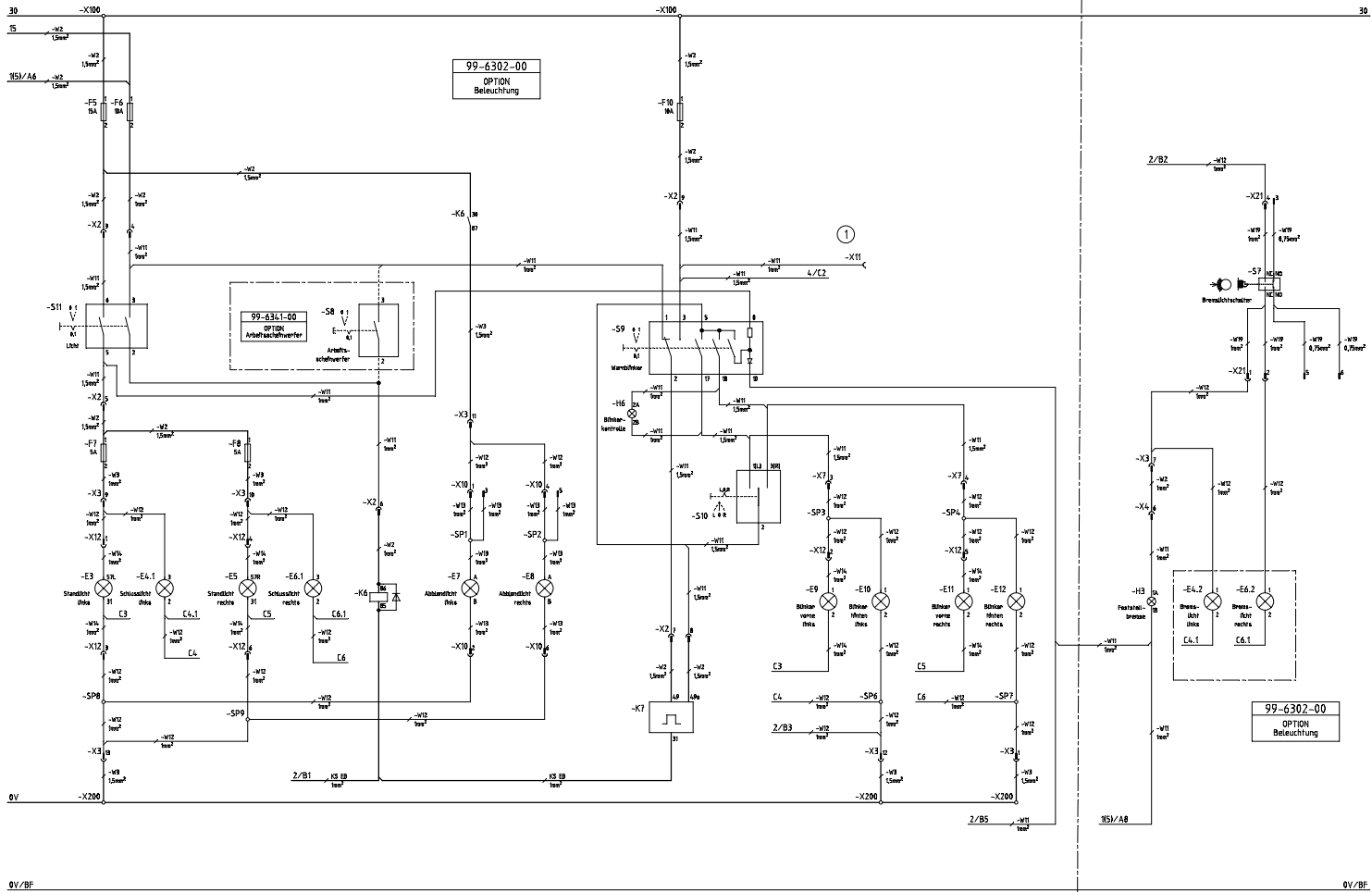


PRODATUM: 27.04.2007 B-Stand: 002 / W / 25.04.01 (003 / Komp / 25.04.01)

=	1	3c	0810-4.3	25.04.01	W	2006	04/06	Jonas	VLS-Dr. 1	Bezeichnung <b>KLEMMPLAN</b> Jonas 1200 V/D	Zählungs-Nr. 9102504.9	
	Nr. 206 (verwendet)		End-Nr.	Datum	Name	Gezeichnet Seyffert	Gezeichnet Seyffert	Erstellt von Jonas	VLS-Dr. 1 0810-16			12.04.04-02
+	10 -> diese Zeichnung ist ein Teil der Bauteilezeichnung 9102504.9										Blattanzahl: 5	Blatt 2





PRODATUM: 27.04.2007 B-Stanz-002 / 10 / 25.04.01 (003 / 1000 / 25.04.01)

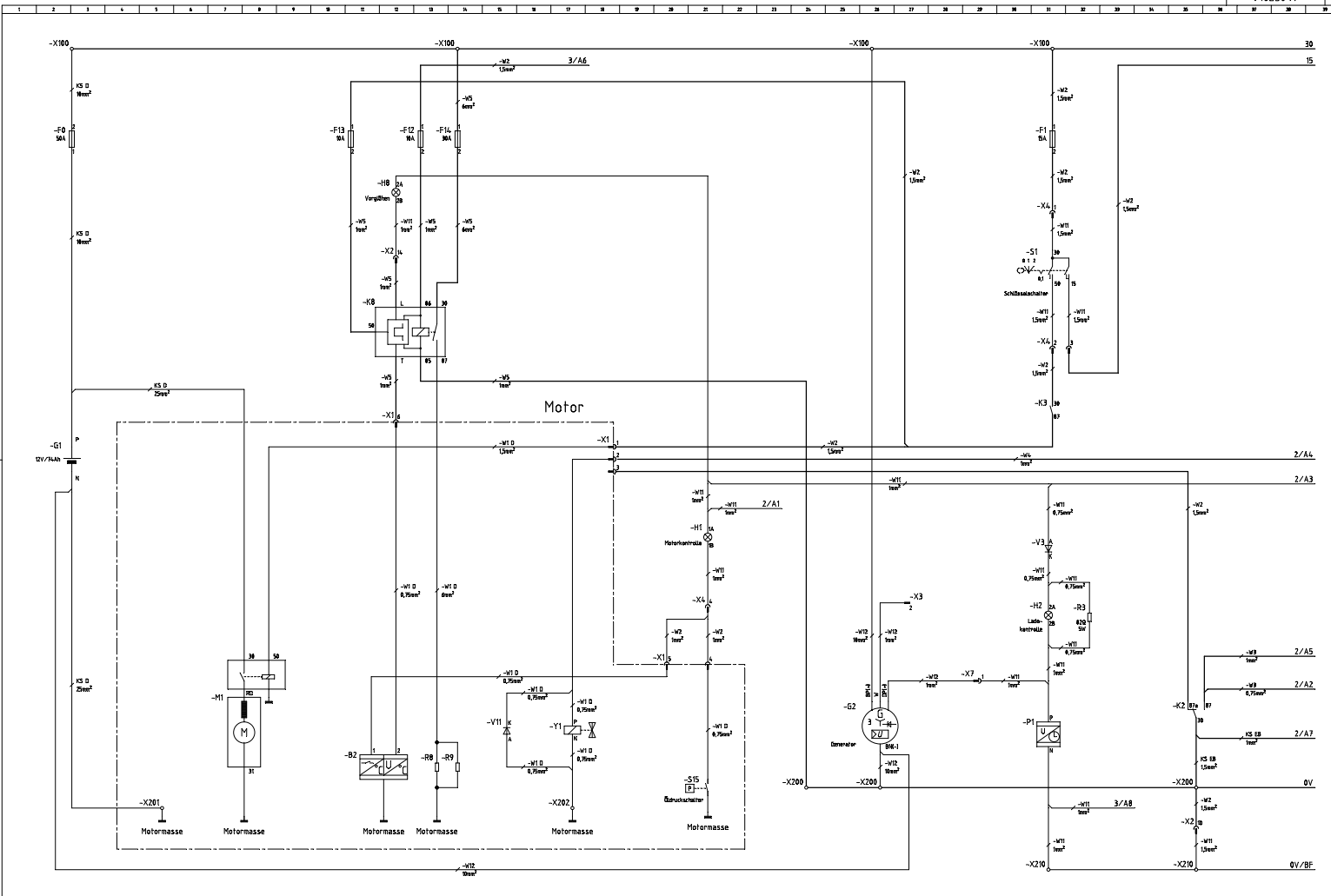
0V/BF

0V/BF

=	1	lc	0810-43	75AAL-87	XP	2006	Salzschmelze	10,0A	10,0A	10,0A	VIS-Nr. 1	Benennung	KLEMMPLAN Jonas 1200 V/D	 1200V/100A/02	Zählungs-Nr.	9102504.9
	+															



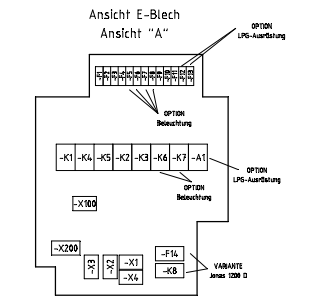
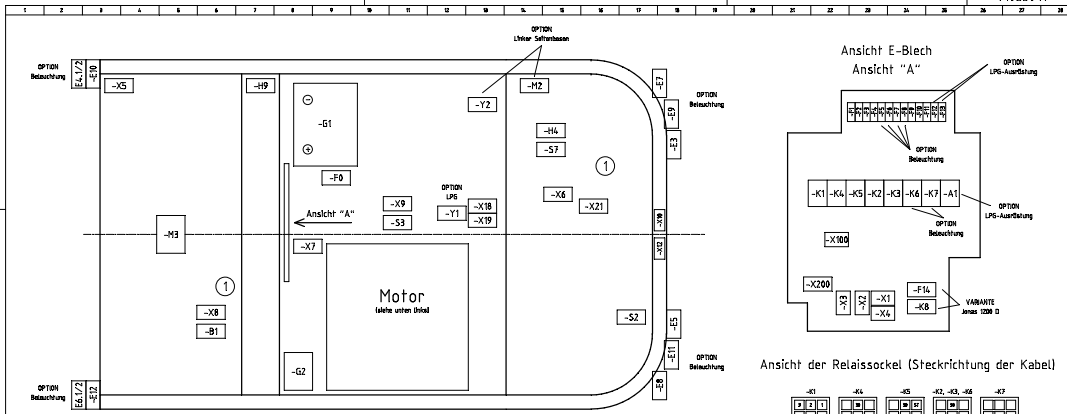
PROTADATUM: 27.A.2007 B-Stanz-002 / W / 25.04.01 (003 / Kupfer / 25.04.01)



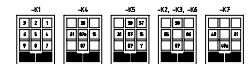
=	1	/	0810-4.3	25.A.01	W	2006	08.10.01	W	VLS-St. 1	Benennung	KLEMMPLAN	Jonas 1200 D	Zählungs-Nr. 9102504.9
			08.10.01	25.A.01	W	08.10.01	W	08.10.01	W				

Ref.	Description	drawing no.	Path	Ref.	Description	drawing no.	Path
A1	LPG control unit (OPTION)	LPG Kit	/1.14	H1	Control light engine	19256270/19256262	/1.12 ; /5.15
B1	Pressure switch dustfilter	90434051	/4.5	H2	Control light battery charging	19256130	/1.22 ; /5.22
B2	Engine temp. sensor/switch	Engine	/5.6	H3	Control light parking brake	see -H2	/3.24
E1	Ignition coil 1	Engine	/1.6	H4	Horn	90422619	/2.20
E2	Ignition coil 2	Engine	/1.9	H6	Control light direction lights	19256247	/3.20
E3	Parking light left (OPTION)	90514480	/3.3	H7	Control light filter/shaker	19256247	/4.3
E4.1	Rear light left (OPTION)	90498759	/3.4	H8	Control light pre glowing	19256130	/5.7
E4.2	Brake light left (OPTION)	see -E4.1	/3.26	H9	Beacon light (OPTION)		/4.19
E5	Parking light right (OPTION)	90514480	/3.6	H10	Horn back driving alarm (SOW)		/2.3
E6.1	Rear light right (OPTION)	90498759	/3.8	K1	Logic relay seat switch	90524547	/2.11
E6.2	Brake light right (OPTION)	see -E6.1	/3.27	K2	Relay	90264672	/2.15
E7	Driving light left (OPTION)	90507369	/3.11	K3	Relay	90264672	/2.13
E8	Driving light right (OPTION)	90507369	/3.13	K4	Timer relay	90422601	/4.5
E9	Direction light front left (OPTION)	90498742	/3.18	K5	Pulse relay	90422403	/4.8
E10	Direction light rear left (OPTION)	90519901	/3.20	K6	Relay for lights (OPTION)	90264672	/3.9
E11	Direction light front right (OPTION)	90498742	/3.21	K7	Relay direction lights (OPTION)	90148388	/3.14
E12	Direction light rear right (OPTION)	90519901	/3.23	K8	Relay preglowing	90285859	/5.8
F0	Fuse 50A	19731173	/1.2 ; /5.2	M1	Starter	Engine	/1.4 ; /5.4
F1	Fuse 15A	19731090	/1.23 ; /5.22	M2	Lift element (OPTION)		/2.24
F2	Fuse 5A	19731082	/2.9	M3	Shaker motor	90520164	/4.10
F3	Fuse 10A	19731181	/2.10	M4	Wiper motor (SOW)		/4.14
F4	Fuse 10A	19731181	/2.20	P1	Hour meter	90463324	/2.17
F5	Fuse 15A (OPTION)	19731090	/3.3	R1	Spark plug 1	Engine	/1.6
F6	Fuse10A (OPTION)	19731181	/3.3	R2	Spark plug 2	Engine	/1.9
F7	Fuse 5A (OPTION)	19731082	/3.3	R3	Resistor 82R 5W	19245042	/1.24 ; /5.23
F8	Fuse 5A (OPTION)	19731082	/3.6	R4	Resistor 1kOhm	19245018	/2.9
F9	Fuse 35A		/4.9	R5	Resistor 1kOhm	19245018	/2.12
F10	Fuse 5A (OPTION)	19731082	/3.18	R7	Resistor 7,5kOhm	19245034	/4.7
F11	Fuse 5A (OPTION)	19731082	/3.21	R8	Glow plug	Engine	/5.8
F12	Fuse 10A	19731181	/1.15 ; /5.8	R9	Glow plug	Engine	/5.9
F13	Fuse10A	19731181	/1.16 ; /5.5	S1	Ignition key	90025206	/1.23 ; /5.22
F14	Fuse 30A		/5.9	S2	Travel pedal neutral switch	90306002	/2.6
G1	Starter battery	19410075	/1.2 , /5.2	S3	Seat switch		/2.9
G2	Alternator	90505272	/1.20 ; / 5.19	S4	Horn switch	19256056	/2.20

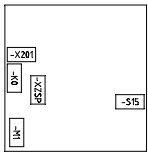
Ref.	Description	drawing no.	Path	Ref.	Description	drawing no.	Path
S6	Lift element switsh (OPTION)		/2.25	X18	Plug LPG Shut Off valve		
S7	Lights switch (OPTION)	19256098	/3.3	X19	Plug LPG Shut Off valve		
S8	Working lights switch (OPTION)	1926155	/3.9	X21	Plug brake lights		
S9	Hazard light switch (OPTION)	19255546	/3.14	X100	Plus potential E-board		
S10	Direction Lights switch (OPTION)	90526104	/3.17	X200	Ground potential E-board		
S11	Brake light switch	90285768	/3.27	X201	Ground engine		
S12	Shaker switch	90306002	/4.5	X202	Ground fuel valve		
S13	Beacon light switch (OPTION)	19256080	/4.19	X210	Ground control panel		
S14	Wiper switch (SOW)		/4.14	XZSP	Ground ignition coil		
S15	Engine oil pressure switch	Engine	/1.12 ; /5.15	Y1	LPG Shut Off valve (OPTION)	LPG-Kit	/1.22
S16	Back driving alarm switch (SOW)	90306002	/2.3	Y1	Fuel Valve	Engine	/5.17
V1	Diode ignition coil 1	Engine	/1.7	Y2	Solenoid valve side broom left	90415605	/2.37
V2	Diode ignition coil 2	Engine	/1.10				
V3	Diode alternator	90194879	/1.22 ; / 5.22				
V4	Diode logic relay seat switch	90194879	/2.10	W1V	Wiring harness gasoline engine	97097026	
V5	Diode logic relay seat switch	90194879	/2.10	W1D	Wiring harness diesel engine	97097018	
V6	Diode horn	90194879	/2.22	W2	Wiring harness E-board	97097034	
V7	Diode timer relay	90194879	/4.3	W3	Wiring harness E-board	97097042	
V8	Diode pulse relay	90194879	/4.7	W4	Wiring harness E-board	97097059	
V9	Diode (OPTION)	90303397	/1.16	W5	Wiring harness E-board preglowing	97097067	
V10	Diode (OPTION)	90194879	/1.15	W6	Wiring harness E-board LPG	97097075	
V11	Diode fuel valve	90194879	/5.11	W11	Wiring harness to steering column	97097083	
X1	Plug to engine			W12	Wiring harness to frame	97097091	
X2	Plug to steering column			W13	Wiring harness main lights (OPTION)	97097109	
X3	Plug to frame			W14	Wiring harness parking lights (OPT:)	97097117	
X4	Plug to steering column			W15	Wiring harness beacon (OPTION)	97097612	
X5	Beacon plug			W19	Wiring harness brake light switch	97083760	
X6	Left side broom plug			KS EB	Wiring loom E-Board	97097133	
X7	Plug W11 to W12			KS V	Wiring loom gasoline	97097158	
X8	Plug shaker motor			KS D	Wiring loom diesel	97097141	
X9	Plug seat switch						
X10	Plug driving lights						
X11	Plug wiper						
X12	Plug parking lights						



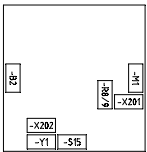
Ansicht der Relaissockel (Steckrichtung der Kabel)



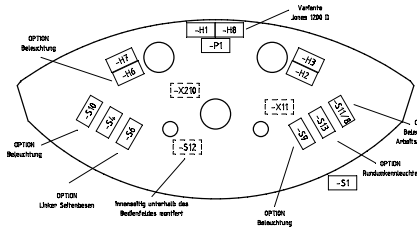
Motor Jonas 1200 V



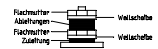
Motor Jonas 1200 D



Draufsicht Bedienfeld



Montagehinweis zu den Strombolzen -X100



PLOT/DATEIUM : 27.04.2007 B-Stand 002 / HP / 25.04.07 003 / kupa / 25.04.07

=		1	Zs	0810-4.3	25.04.07	HP	2006	Datum	Name	VES-Nr. 1	Benennung			Zeichnungs-Nr.
+											KLEMMPLAN Jonas 1200 V/D			9102504.9
											HP diese Zeichnung behalten wir uns alle Rechte vorbehalten © 2006			Blattzahl 9 Blatt 9